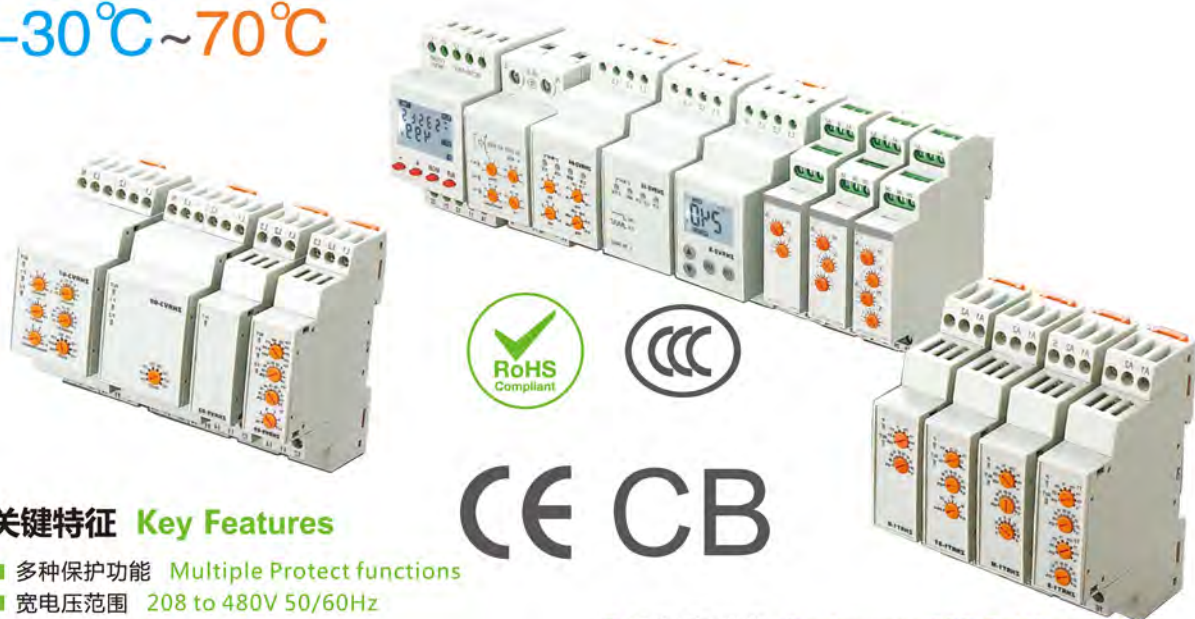


-30°C ~ 70°C



CE CB

关键特征 Key Features

- 多种保护功能 Multiple Protect functions
- 宽电压范围 208 to 480V 50/60Hz
- 导轨安装 DIN-rail mounting
- 符合国际标准 Conforms to CCC, RoHS and CE IEC

型号规格 Model	类型 Style	功能类型 Function Type	功能数量 Number of Functions	触点配置 Contact Configuration	触点配置容量 Contact Configuration capacity(A)	宽度 Width (mm)	额定电源电压 Rated Supply Voltage
ZHRV2-36	过欠压自复位保护器 Automatic reset over and under voltage protector	Over voltage Under voltage	2	1NO (Non-Isolated)	32~80	36	220V AC
ZHRV2-54T	过欠压自复位保护器 Automatic reset over and under voltage protector	Over voltage Under voltage	2	1NO (Non-Isolated)	32~80	54	220V AC
ZHRV2-72	过欠压自复位保护器 Automatic reset over and under voltage protector	Phase sequence ,Phase failure,Over and Under voltage	4	3NO+N (Non-Isolated)	50~80	72	3P+N 220V AC
ZHRV1-01~19	电压控制继电器 Voltage control relay	Phase sequence ,Phase failure,Asymmetry, Over and Under voltage PTC,Test,Load Protect	8	1C/O	10	45	3P:A220~A480 3P+N: N220~N240
ZHRV2-01~11	电压控制继电器 Voltage control relay	Phase sequence ,Phase failure,Asymmetry, Over and Under voltage	5	1C/O	10	36	3P:A220~A415 3P+N: N220~N240
ZHRV2-S	电压控制继电器 Voltage control relay	Phase sequence ,Phase failure,Asymmetry, Over and Under voltage	1	1C/O	10	36	3P:M415 (380~415V) 3P+N:M240 (220~240V)
ZHRV2-45	电压控制继电器 Voltage control relay	Phase sequence ,Phase failure,Asymmetry, Over and Under voltage Tinmer,Count	7	1C/O	10	45	3P:A380
ZHRV3-01~11	电压控制继电器 Voltage control relay	Phase sequence ,Phase failure,Asymmetry, Over and Under voltage	5	2C/O or 1C/O+1C/O	8	36	3P:M440 (208~440V) 3P+N:M254 (120~254V)
ZHRV5-01-02	单相电压继电器 Voltage control relay	Over voltage Under voltage	2	1C/O	8	18	DC12~240 AC24~240
ZHRV5-03~12	三相电压继电器 Voltage control relay	Phase sequence ,Phase failure,Asymmetry, Over and Under voltage	5	1C/O	8	18	3P:M460 (220~460V)



ZHRV2-S

1.1 应用

用于空调机组、电梯机房、水泵、风机等电机控制场合，作过、欠压、断相、相序、三相不平衡保护用，当电源异常时，切断供电回路，达到保护设备的目的。

1.1 Applications

Used in air conditioning units, elevator machine room, pumps, fans and other motor control applications, as protection of over-voltage, under voltage, phase failure, phase sequence and phase unbalance. When the power supply is abnormal, turn off power supply to protect the equipment.

1.2 功能特点：

内置微处理器，真有效值测量，电压测量精度 $\leq 1\%$ 。测量频率45Hz~65Hz，按键设定，LCD显示电压值及故障信息，可开启和关闭保护功能；通过按键可查询三相电压值，具N相断相保护功能，导轨安装。

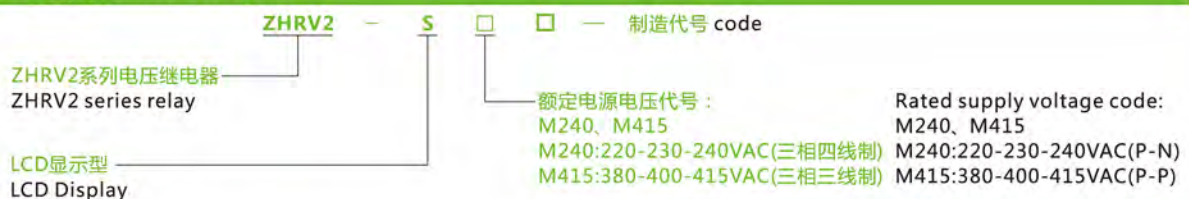
1.2 Features：

Built-in microprocessors, true RMS voltage measurement, voltage measurement accuracy $\leq 1\%$. Measuring frequency 45Hz~65Hz, button setting, LCD display voltage and fault information, protection can be turned on or off. Check phase voltage value by button, with N-phase phase failure protection. DIN rail mounting.

技术参数 / Technical Parameters

额定电源电压 Rated supply voltage	三相三线制(3-phase 3-wire): AC200V~500V 三相四线制(3-phase 4-wire): AC125V~300V
额定电源频率 Rated supply frequency	50Hz/60Hz
电压测量误差 Voltage measurement error	$\leq 1\%$ (整个设定范围/Entire setting range)
延时误差 Delay error	$\pm 10\% + 0.1s$
测量精度 Measurement accuracy	1%, 有效值测量 RMS
断相、相序 Phase failure and phase sequence	$\leq 0.2s$
额定绝缘电压 Rated insulation voltage	415V
触点配置容量 Contact Configuration capacity(A)	10A
IP等级 IP Class	IP20
污染等级 Class of pollution	III
电气寿命 Electrical Life	10^5
机械寿命 Mechanical life	10^6
海拔高度 Altitude	$\leq 2000m$
允许的相对湿度 Allowable relative humidity	$\leq 50\%$ (40°C) (无凝霜/No condensation)
使用类别 Use category	AC-15
短路保护器的型式 Short circuit protector type	RT36-00 5A
触点容量 Contact capacity	Ue/Ie: 240V/1.5A, 415V/0.95A
输出类型 Output type	1 C/O
导轨标准 DIN rail Standard	宽度(width)35mm(IEC/EN60715)

1.3 型号说明 / Model Description



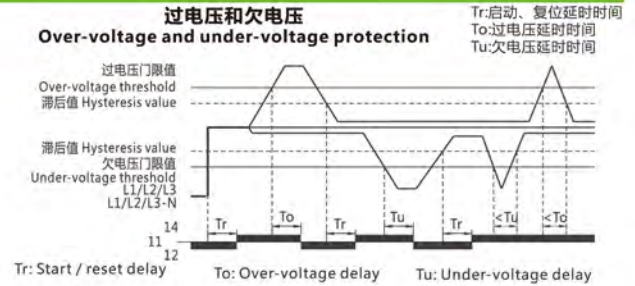
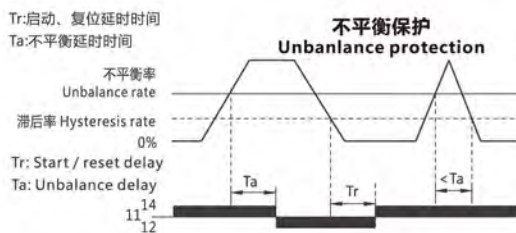
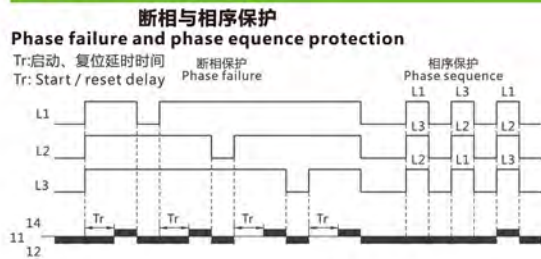
功能设置表 / Function Setting Table

技术参数 Parameters	设定范围 Setting range	步进量 Step amount	出厂设定值 Factory setting	备注 Remarks
过电压动作值 Over-voltage action value	OFF-381V~500V	1V	437V	M415
	OFF-221V~300V	1V	253V	M240
过电压延时时间 Over-voltage delay	0.1~20s	0.1s	2s	
欠电压动作值 Under-voltage action value	260V~379V-OFF	1V	323V	M415
	150V~219V-OFF	1V	187V	M240
欠电压延时时间 Under-voltage delay	0.1~20s	0.1s	2s	
不平衡率 Unbalance rate	OFF-5%~20%	1%	8%	
不平衡延时时间 Asymmetry Delay time	0.1~20s	0.1s	2s	
相序保护功能 Phase sequence protection	ON-OFF		ON	
启动复位延时时间 Start/reset delay	0.3~30s	0.1s	0.3s	
自动复位功能 Automatic reset	ON-OFF		ON	

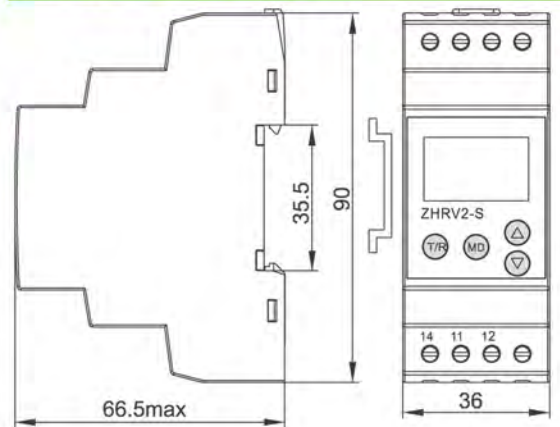
注：ON表示开启保护功能，OFF表示关闭保护功能。

Note: "ON" is protection available, "OFF" is protection unavailable.

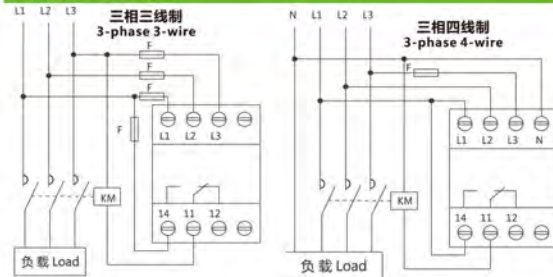
工作时序图 / Function diagram



外形尺寸图 / Dimensions (mm)

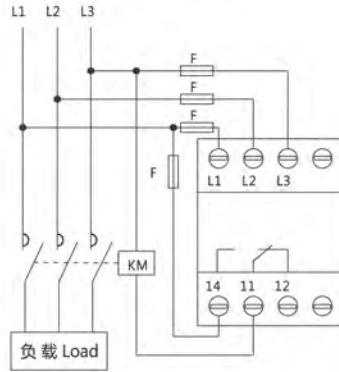


接线图 / Wiring Diagram

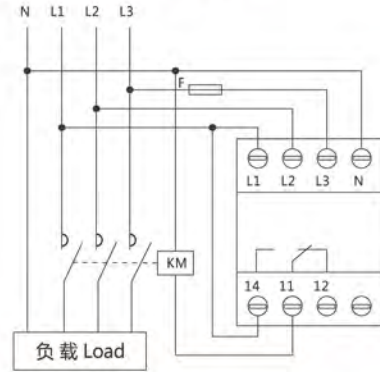


接线图 / Wiring Diagram

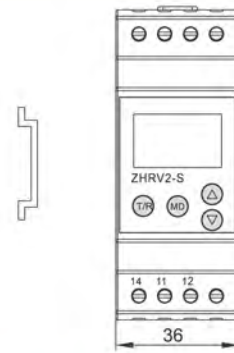
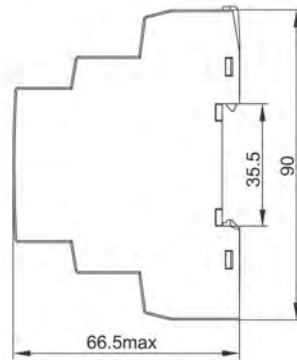
三相三线制
3-phase 3-wire



三相四线制
3-phase 4-wire



外形尺寸图 / Dimensions (mm)



2. 订货须知 / Ordering instructions

产品型号意义：

ZHRV2-S/M240 系列LCD显示型电压继电器：额定工作电压220V-230V-240VAC(三相四线制)，过电压设定范围：221V-300V,欠电压设定范围：150V-219V。

Model significance:

ZHRV2-S/M240 LCD display voltage relay, rated working voltage 220V-230V-240VAC(3-phase 4-wire). Over-voltage setting range: 221V-300V, Under-voltage setting range:150V-219V.