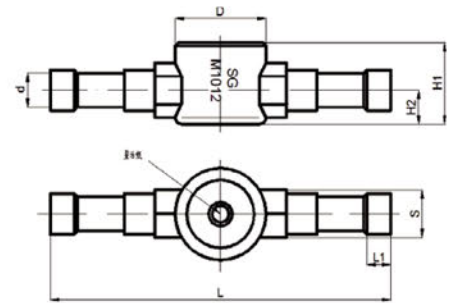
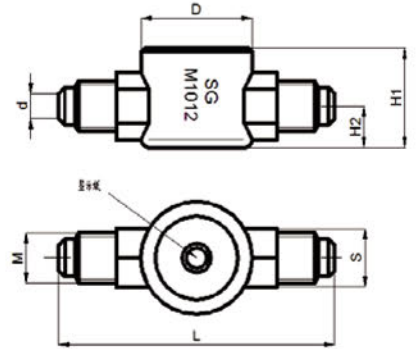
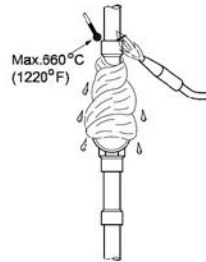


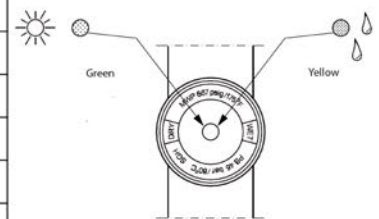
### Main Features

- Indicates cooling system moisture, super cooling and refrigerant volume shortage
- Compatible with different refrigerants, including CFC, HCFC and HFC
- Wide angle viewing/high visibility window for ease of monitoring
- Select interchangeable paper and don't need disassembly it from pipe
- Working Temperature Range: -55°C ~ 100°C
- Maximum Working Pressure: 5.0MPa

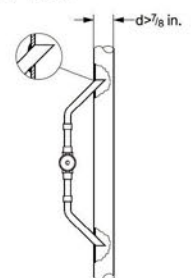


### Overall Size

P.N.	d	D	S	L	L1	H1	H2	
SG6	1/4"	6	27	14	67		24	10
SG8		8	27	14	80		24	10
SG10	3/8"	10	32	19	82		28	12
SG12	1/2"	12	32	19	88		28	12
SG16	5/8"	16	37	22	104		37	26
SG19	3/4"	19	37	32	110		37	26
SG6B	1/4"	6	27		101	7	24	10
SG8B		8	27		101	7	24	10
SG10B	3/8"	10	32		119	9	28	12
SG12B	1/2"	12	32		146	10	28	12
SG16B	5/8"	16	37		146	12	37	26
SG19B	3/4"	19	37		173	14	37	26

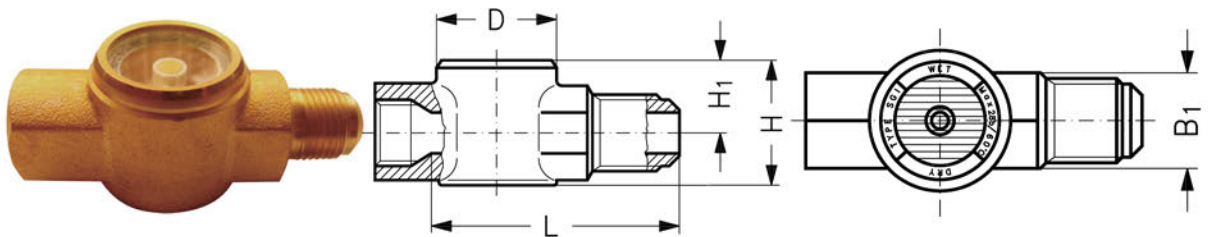


d > 22 mm - 7/8 in.



### Main Features

- Indicates cooling system moisture, super cooling and refrigerant volume shortage
- Compatible with different refrigerants, including CFC, HCFC and HFC
- Wide angle viewing/high visibility window for ease of monitoring
- Select interchangeable paper and don't need disassembly it from pipe
- Working Temperature Range: -55°C ~ 100°C
- Maximum Working Pressure: 5.0MPa



Model	Conexion	L	H	H <sub>1</sub>	B <sub>1</sub>	øD
SG6NW(1/4"×1/4")	Flare Female x Male	46	24	14	16	27
SG10NW(3/8"×3/8")		57	30	18	22	32
SG12NW(1/2"×1/2")		59	30	18	24	32
SG16NW(5/8"×5/8")		71	37	21	27	37
SG19NW(3/4"×3/4")		75	41	22	32	37



Model	Connection	H	H <sub>1</sub>	B <sub>1</sub>
SGR 1/2	NPT	30	18	27
SGR 3/4	Pipe thread	23	10	32
SGR 3/4	NPT	31	18	32
SGRN 1/2	NPT	30	18	27

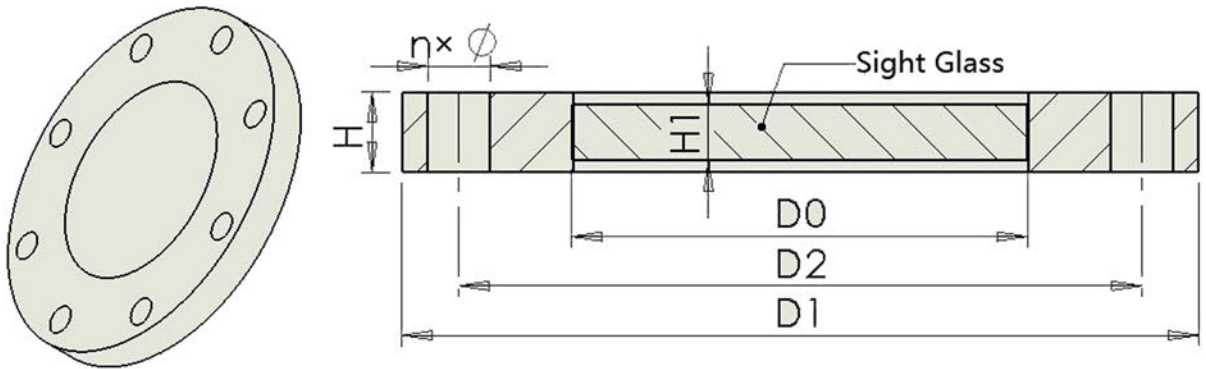
#### Sight glass saddle

#### Connection

Sight glass saddle	Connection	Dimension
Tube fitting	M24 × 1	1 1/8
Tube fitting	M24 × 1	1 3/8
Tube fitting	M24 × 1	1 5/8
Tube fitting	M24 × 1	2 1/8
Tube fitting	M24 × 1	3 1/8



The sight glass is intergrated construction of metal and glass sealing, widely used in chemical pipelines, shipbuilding industry, medicine mechanics, reactors, compressors, central air conditioning, gear, transformers, liquid storage tanks, dry bottles, boilers and other equipments the display device of an internal medium observed.



Model	Nominal Pressure	Window Diameter	Screw bolt circle Diameter	Outer Diameter	Screw bolt hole numbers	screw bolt hole Diameter	Screw bolt Specification	Thickness	"O" Circle Specification	Glass Thickness
	MPa	D0	D2	D1	n	Φ	M	H	Outer Dia. * Section	H1
SGF-28	2.5	28	48	60	3	7	M6	7.3	37.5×2.65	6
SGF-45	2.5	45	68	80	4	8.5	M8	8	56×2.65	6
SGF-50	2.5	50	90	110	6	11	M10	12	70×3.55	8
SGF-80	2.5	80	120	140	8	11	M10	14	105×3.55	10
SGF-100	2.5	100	140	160	8	11	M10	16	125×3.55	10
SGF-125	2.5	125	175	205	10	13	M12	16	160×5.7	10
SGF-150	1.6	150	200	230	10	13	M12	18	180×5.7	12
SGF-180	1.6	180	235	260	10	13	M12	20		12