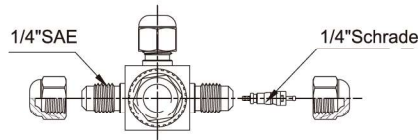
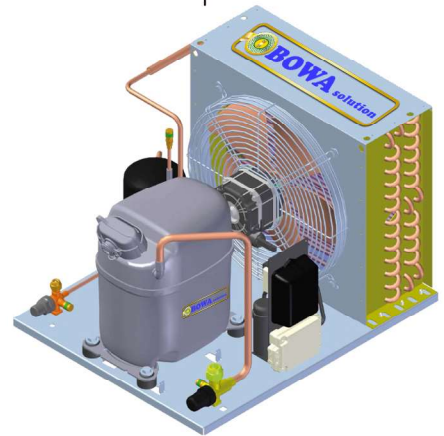
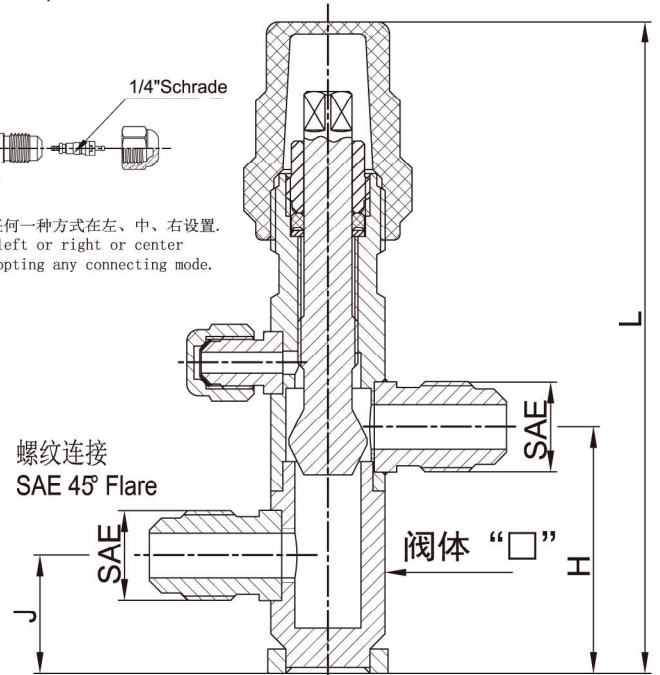
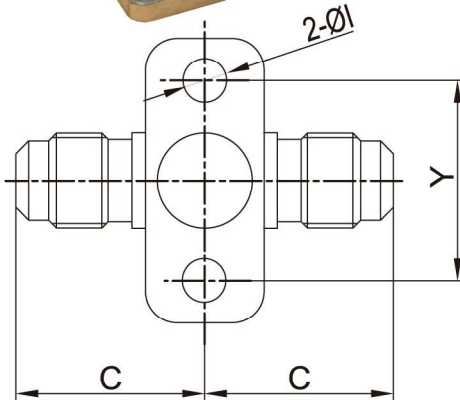




- 1.该阀最大使用压力为4.8MPa;
 - 2.使用介质：R22、R134a、R410a、POE冷冻油等氟制冷剂；
 - 3.使用温度：-40℃~150℃。
- 1.Max working pressure: 4.8MPa.
 - 2.Working media: R22, R134a, R410a, POE refrigerant oil and fluorine refrigerants.
 - 3.Working temperature: -40℃~150℃.



注:加液接头可按用户采用任何一种方式在左、中、右设置。
Note:add access port at left or right or center according to customer adopting any connecting mode.



Model	阀体四方“□” mmxmm	SAE	H mm	J mm	L mm	C mm	Y mm	ØI mm
AVVF20-06	20	1/4"	44	17.5	110	24	34	6.5
AVVF20-10		3/8"				31.5		
AVVF20-12		1/2"				31		
AVVF20-16		5/8"				33.5		
AVVF30-19	30	3/4"	60	25	153	42.5	51	11
AVVF30-22		7/8"				46		