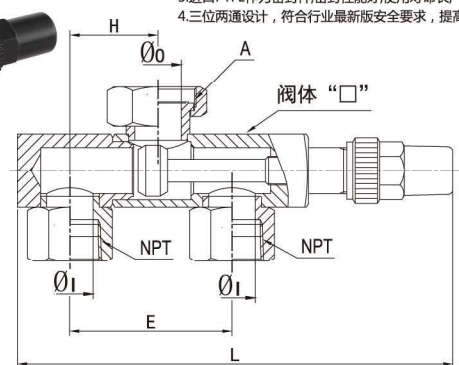
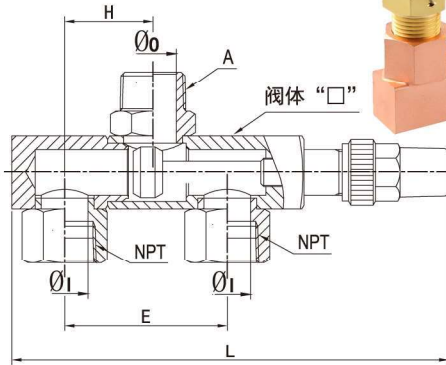


1. Good anti-vibration and sealing performance, easy to use.
2. Integrated tunnel oven brazing: high robustness.
3. Sealed by imported PTFE: good sealing performance and long durability.
4. 3-position-2-way design: conform to recent industrial security standard and with high security level.

- 1.抗震动、密封性好，安装使用方便；
- 2.整体隧道炉焊接，强度高；
- 3.进口PTFE作为密封件，密封性能好，使用寿命长；
- 4.三位两通设计，符合行业最新版安全要求，提高安全等级。



Model	阀体“□” mm	A	NPT	Ø1 mm	Ø0 mm	H mm	E mm	L mm
AVTE22-66	□22	1"-14UNS	NPT1/4"	Ø8	Ø12	Ø30	54	147
AVTE22-66N		NPT1/4"			Ø8			
AVTE22-10	□22	1"-14UNS	NPT3/8"	Ø11	Ø12			
AVTE22-10N		NPT3/8"			Ø11			
AVTE22-12	□22	1"-14UNS	NPT1/2"	Ø13.5	Ø12			
AVTE22-12N		NPT1/2"			Ø13.5			
AVTE30-19	□30	1-1/4"-12UNF	NPT3/4"	Ø19	Ø19	Ø35	66	179
AVTE30-19N		NPT3/4"						
AVTE36-25N	□36	NPT1"	NPT1"	Ø25	Ø23	Ø33	80	220

1. Max working pressure: 6.0MPa.
  2. Working media: R22, R134a, R410a, POE refrigerant oil and fluorine refrigerants.
  3. Working temperature: -40°C ~ 150°C.
1. 该阀最大使用压力为6.0MPa;
  2. 使用介质: R22、R134a、R410a、POE冷冻油等氟制冷剂
  3. 使用温度: -40°C ~ 150°C.

1. Shut the valve by clockwise rotation and open it by anticlockwise rotation with standard torque.
  2. For normal use, after tightening/loosening the stem, tighten the packing nut and then the cap. The cap will function as secondary sealing.
1. 根据力矩要求顺时针关闭紧启用一只安全阀，逆时针打开到底启用另一只安全阀，开中间两个同时启用；
  2. 日常使用，开关阀杆后，根据要求锁紧填料螺丝，再拧紧帽盖，该帽盖有二次密封作用。

