

O-ring球阀是手动调节的双向流动截止阀。用于冷藏、冷冻、热泵和空气调节装置的液管、回气和热气管路上。两种阀型：一种是不带检测孔，另一种带有检测孔。

O-ring ball valve is manually operated shut-off valves suitable for bi-directional flow. Ball valves are used in liquid, suction and hot gas lines in refrigeration, heat pump equipments, freezing and air conditioning systems. The GBC bi-directional ball valves can be delivered with or without external access port.

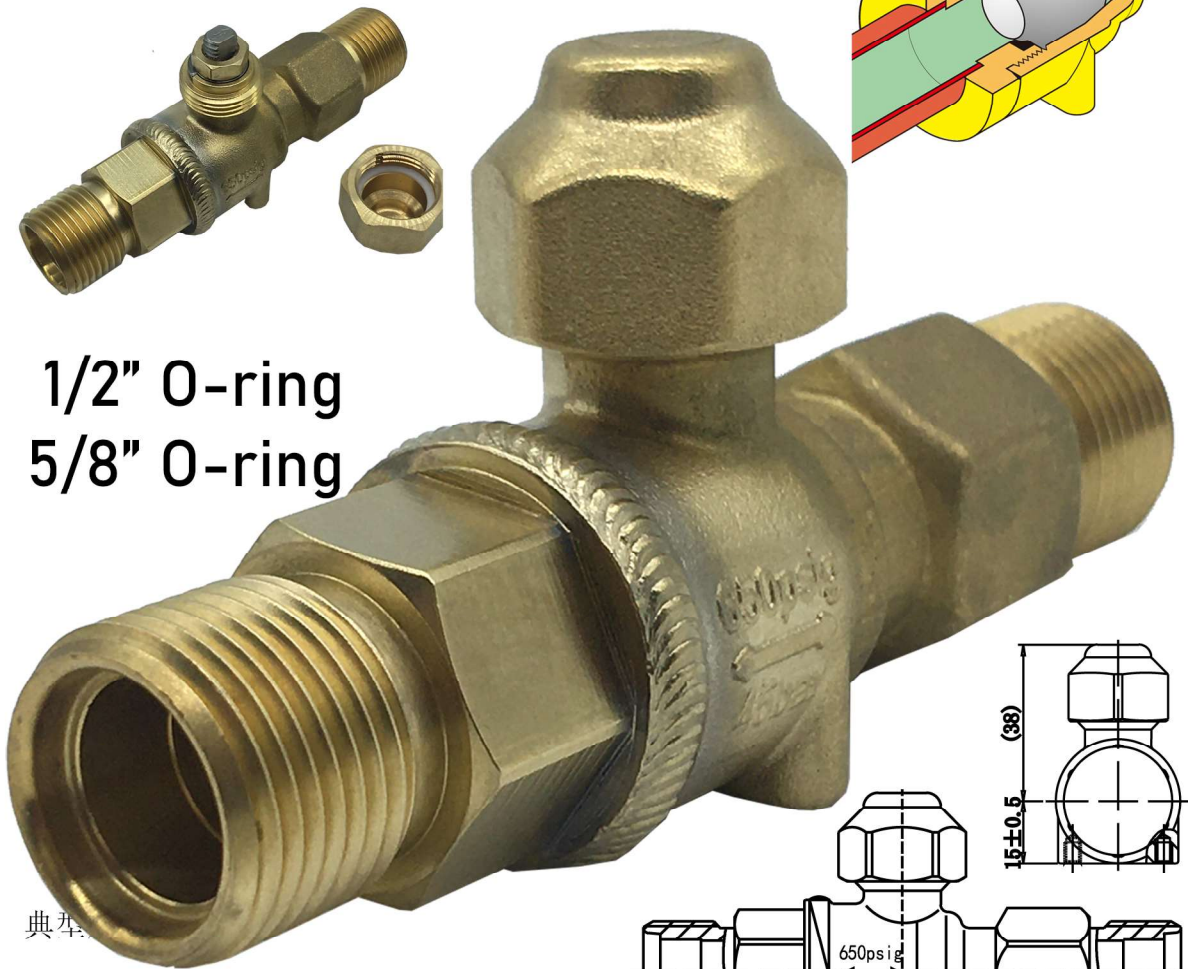
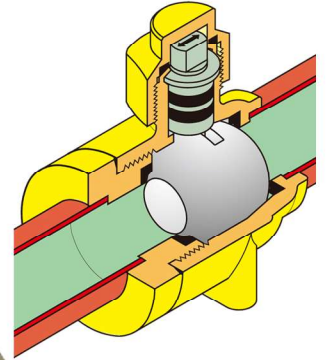
Technical Parameters

Applicable Refrigerant	HCFC or HFC
Applicable Medium Temperature	-40°C ~ +150°C
Max. Operating Pressure	4.5MPa
Max. Test Pressure	6.5MPa
Yearly Leakage of Refrigerant	≤5g R22

特点

- * 流动无压力降
- * 旋转 $\frac{1}{4}$ 圈，阀可以从全开到全闭
- * 阀全开和全闭均有旋转限制
- * 双向流动性
- * 能安装在控制板上
- * 让更换干燥过滤桶等工作变简单

- * Full flow with minimum pressure drop.
- * Bi-directional flow
- * Slimline design ensures easy operational handling.
- * The available access port saves money if service of the system is necessary.



1/2" O-ring
5/8" O-ring

典型

