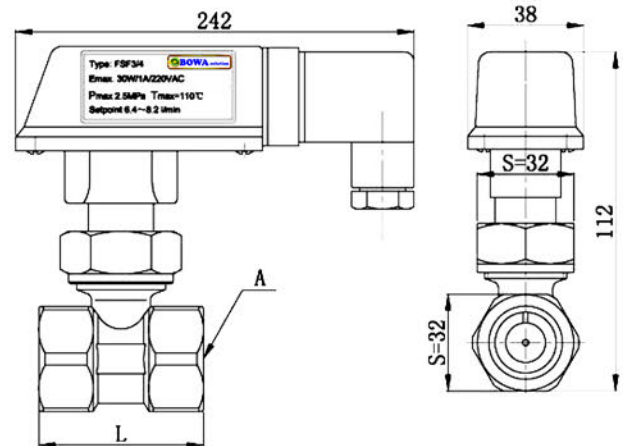
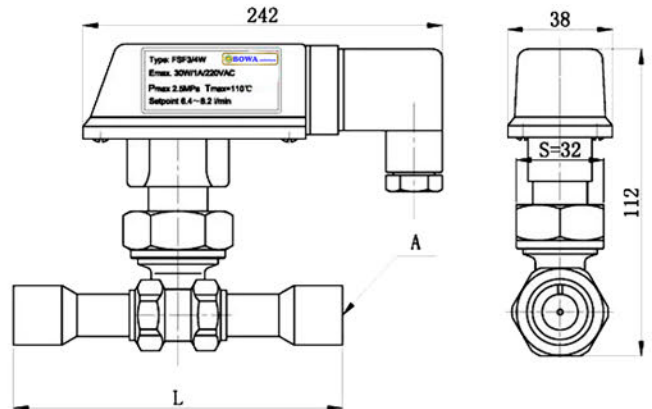


- * Monitor and control the flow of the medium in pipes.
- * Get signals from the flow of medium.
- * Small size, easy installation, high sensitive & reliable performance
- * Max. ambient temperature: 80°C Max. fluid temperature: 110°C
- * Max. working voltage: AC 220V Max. working current: 1A
- * Max. fluid pressure: 2.5 MPa
- * Available medium: R134a, R22, R407C, R404A/R507, oil and mixture of oil and refrigerant.



Model	Flow rate range (L/min)		Connection size (A)	Dimension (mm)	
	Increasing flow	Decreasing flow		Length (L)	Height (H)
FSF3/8	2.6~2.9	2.2~2.9	G3/8	50	112
FSF3/8W			3/8" ODF	113	
FSF1/2	3.3~4.0	2.9~3.7	G1/2	50	
FSF1/2W			1/2" ODF	113	
FSF3/4	6.6~8.8	6.2~7.7	G3/4	50	
FSF3/4W			3/4" ODF	148	
FSF1W	13.0~16.1	11.4~14.7	1" ODF	194	