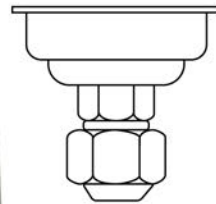
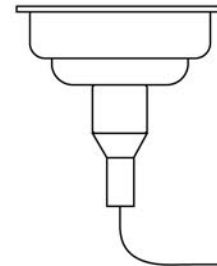


Characteristics

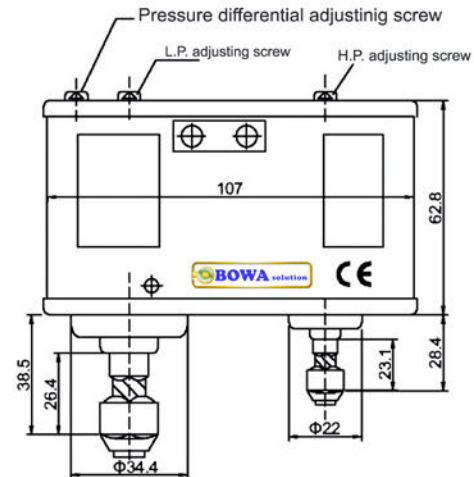
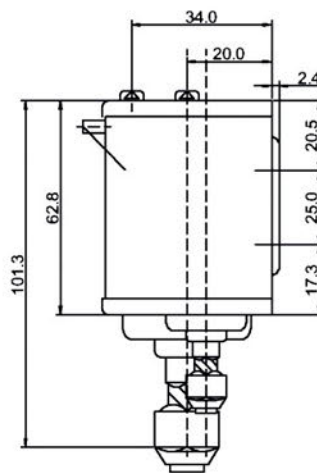
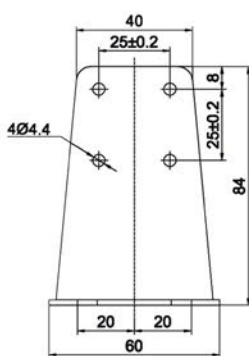
- This product is used as pressure control or pressure protection. When the system reaches the set value the switch turns on/off the automatically.
- Except for automatic reset, the manual reset at high voltage end as well as both high and low voltage are available
- The circuit connected inside the pressure controller that integrates the high and low pressure ends as one unit is applicable for various kinds of refrigeration systems.
- Pressure and pressure-difference adjusting with the graduate are furnished.
- Suitable mediums are compressed air, Freon , water and oil, etc.
- The connector adopts the standard flare thread.
- Medium temperature: - 40 ~ +120°C; Environment temperature: - 40 ~ +70°C.



a.) 7/16"-20UNF Thread
b.) M 12X1.25 Thread



c.) 2.5 Capillary, Length 1000mm



Electric rating

Rated current (A)	Rated voltage (V)	Power COS Φ	125V AC	250V AC
	Non-induction current		1	24
Induction current	Constant	0.75	24	16
	Transient	0.75	144	96

Unit: MPa

Symbol	Model	Low pressure		High pressure		Reset		MOP	
		Adjust range	Differential	Adjust range	Differential	LP	HP	LP	HP
Dual	P20630	-0.05~0.6	0.1~0.4	0~3.0	Fixed \cong 0.4	Aut.	Aut.	1.7	3.3
	P20630M	-0.05~0.6	0.1~0.4	1.0~3.0	Fixed \cong 0.4	Aut.	Man.	1.7	3.3
	P206M30M	-0.05~0.6	Fixed \leq 0.4	1.0~3.0	Fixed \cong 0.4	Man.	Man.	1.7	3.3
	P21245	0.2~1.2	0.1~0.4	1.0~4.5	Fixed \cong 0.6	Aut.	Aut.	2.5	4.8
	P21245M	0.2~1.2	0.1~0.4	1.0~4.5	Fixed \cong 0.6	Aut.	Man.	2.5	4.8
	P212M45M	0.2~1.2	Fixed \leq 0.2	1.0~4.5	Fixed \cong 0.6	Man.	Man.	2.5	4.8

- * Default pressure Label in English.
- * Other language is available if request and provide
- * Max. Testing Pressure 3.3MPa @ HP and 1.65MPa @ LP

