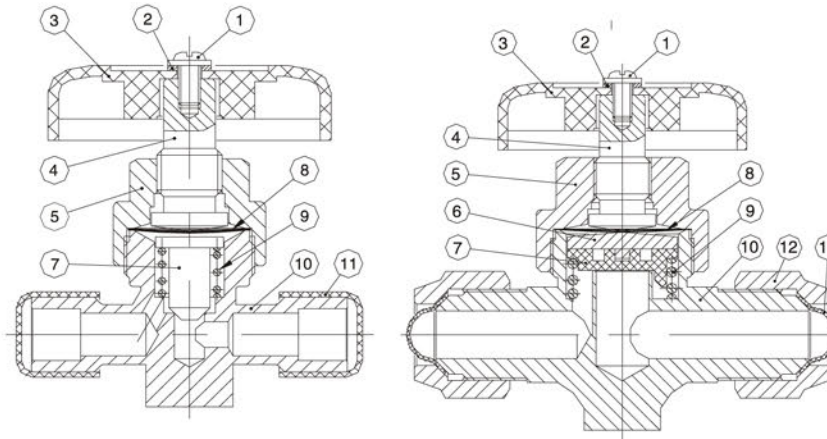


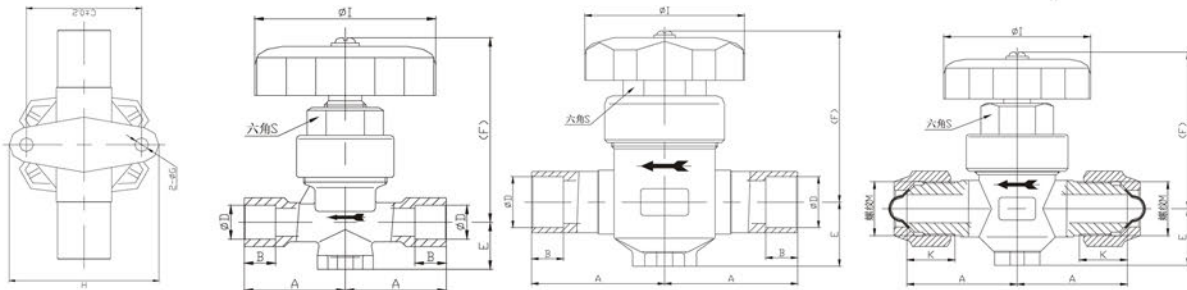
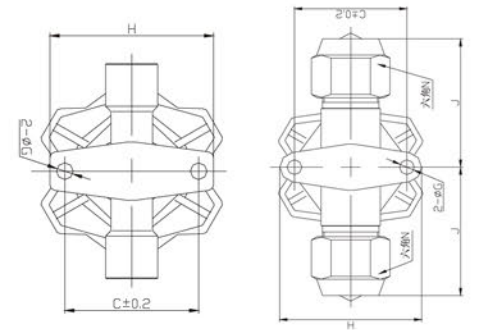
- General diaphragm hand valve is a manually-operated shutoff valve, which is applicable to one direction flow.
- General diaphragm hand valve is used on the liquid, air suction or hot vapor piping of a freezer, cold store and air conditioning unit.



1. screw 2. washer 3. hand wheel
4. valve stem 5. valve bonnet
6. copper chip 7. valve core component
8. diaphragm 9. spring 10. valve body
11. dust cap 12. nut

Applicable Refrigerant	HCFC, HFC
Applicable Medium Temperature	-25°C ~ +100°C
Max. Operating Pressure	2.5MPa
Scope of Operating Pressure	-0.1MPa ~ 2.1MPa
Air-tight Test Pressure	3.0MPa
Withstand Test Pressure	4.5MPa

Model	Flare	Welded (without copper tube)	Welded (with copper tube)	Kv ( m <sup>3</sup> /h )
DV-1/4	1/4 SAE	1/4 ODS	1/4 ODF	0.28
DV-3/8	3/8 SAE	3/8 ODS	3/8 ODF	0.30
DV-1/2	1/2 SAE	1/2 ODS	1/2 ODF	1.30
DV-5/8	5/8 SAE	5/8 ODS	5/8 ODF	1.80
DV-3/4	3/4 SAE	3/4 ODS	3/4 ODF	3.65
DV-7/8	-----	7/8 ODS	7/8 ODF	3.65



Model	Overall Dimension													Weight (g)	
	A	B	C	φD	E	(F)	φG	H	φI	S	J	K	N		Thread M
1/4SAE	29	---	36	---	13.5	54	4.5	44	53	19	34	13	15	7/16-20UNF	185
1/4ODS		8		6.5										-----	160
3/8SAE		---		---							37.5	15	21	5/8-18UNF	230
3/8ODS	31	9		9.7										-----	165
1/2SAE		---		---							43.5	18	23	3/4-16UNF	370
1/2ODS		10		12.8	19.0	56	5.0	48	53	22				-----	290
5/8SAE	39	---	38	---							46	21	27	7/8-14UNF	415
5/8ODS		10		16.1										-----	295
3/4SAE		---		---							57.5	21	32	1-1/16-14UNS	795
3/4ODS	50	12	50	19.1	24.0	64	6.0	65	60	27				-----	560
7/8ODS		12.5		22.3										-----	600