

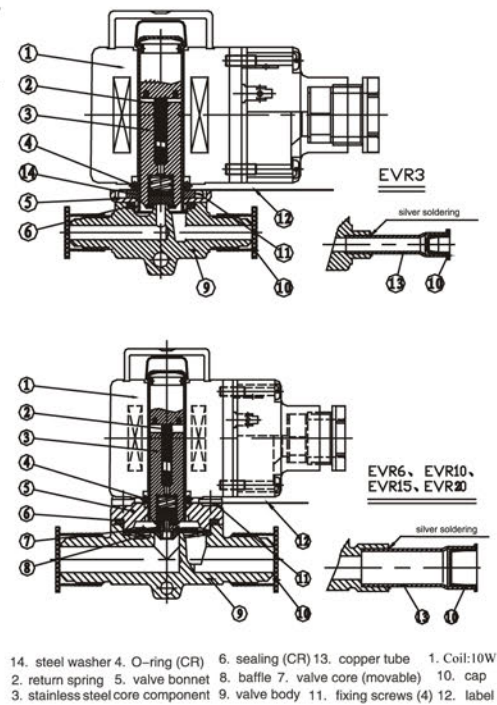
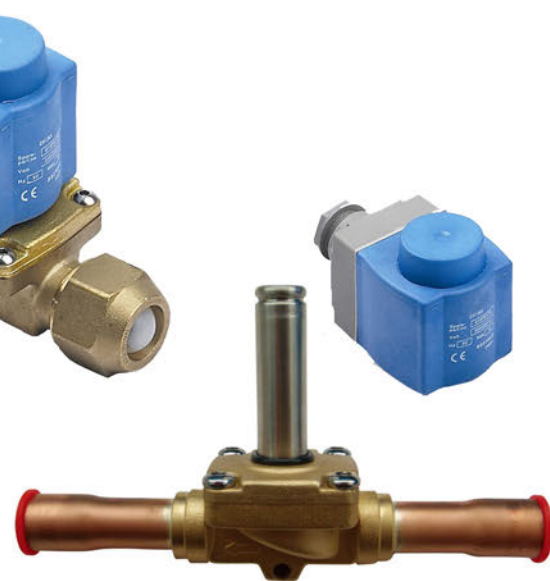
Features

- Only NC available.
- Max. temperature 105°C.
- 100-mesh filter at the suction end, replaceable.
- 10W
- MOP 3.0MPa.
- Max. flare connection is 3/4 in.
- Max. ODF connection is 1 1/8 in.
- various power supply are available.

Refrigerant	HCFC / HFC
Medium Temperature	-25°C ~ +105°C
Ambient Temperature	-25°C ~ +80°C
Standard Voltage	AC380V/220V DC12V/24V
Voltage Fluctuation	+10% ~ -15%
Connection	IP67 with terminal box

Specification

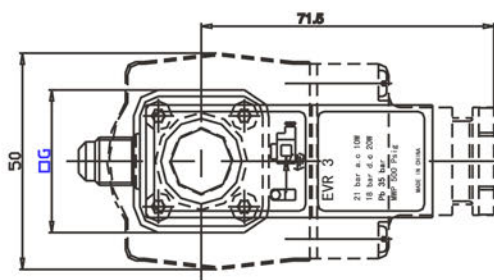
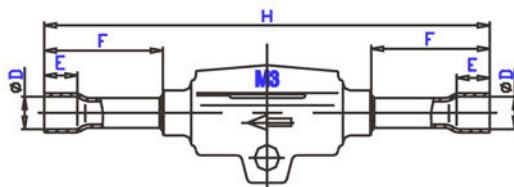
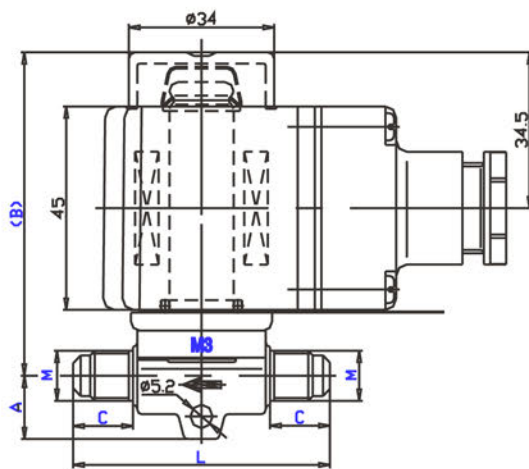
Model	Connection Type		ΔP (bar)		Max. Operating Pressure (bar)	Kv (m³/h)
	SAE Flare	ODF	Min.	MOP Liquid		
EVR3-2	1/4	1/4	0.0	30	40	0.27
EVR3-3	3/8	3/8	0.0			0.27
EVR6-3	3/8	3/8	0.05			0.8
EVR6-4	1/2	1/2				0.8
EVR10-4	1/2	1/2				1.9
EVR10-5	5/8	5/8				1.9
EVR15-5	5/8	5/8				2.6
EVR15-6	3/4	3/4				2.6
EVR15-7	--	7/8				2.6
EVR20-7	--	7/8				5.0
EVR20-9	--	1 1/8				5.0
EVR25-9	--	1 1/8				0.2
EVR25-11	--	1 3/8	16			
EVR32-11	--	1 3/8	21			
EVR32-13	--	1 5/8				
EVR40-13	--	1 5/8				
EVR40-17	--	2 1/8				



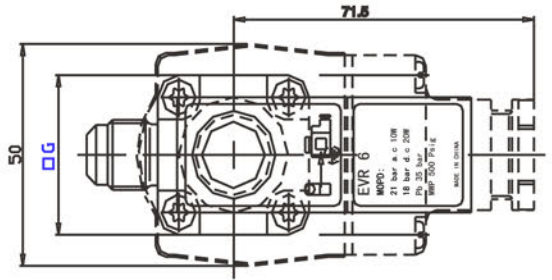
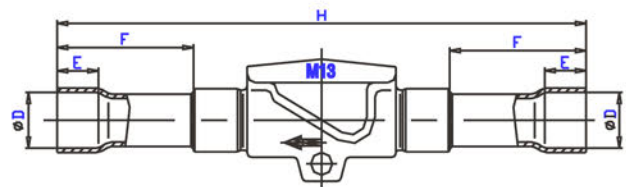
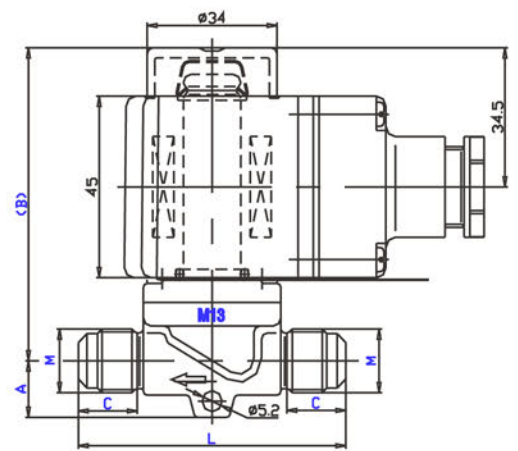
Model	Nominal Refrigerating Capacity KW								
	Liquid			Air Suction			Hot Vapor		
	R22\ R407C	R134a	R404A\ R507	R22\ R407C	R134a	R404A\ R507	R22\ R407C	R134a	R404A\ R507
EVR3	5.40	5.00	3.80	---	---	---	2.50	2.00	2.00
EVR6	16.10	14.80	11.20	1.80	1.30	1.60	7.40	5.90	6.00
EVR10	38.20	35.30	26.70	4.30	3.10	3.90	17.50	13.90	14.30
EVR15	52.30	48.30	36.50	5.90	4.20	5.30	24.00	19.00	19.60
EVR20	101.0	92.80	70.30	11.40	8.10	10.20	46.20	36.60	37.70
EVR10	201.0	186.0	141.0	22.80	16.30	20.40	92.30	73.20	75.30
EVR15	322.0	297.0	225.0	36.50	26.10	32.60	148.0	117.0	120.0
EVR20	503.0	464.0	351.0	57.00	40.80	51.00	231.0	183.0	188.0

liquid and suction: te = -10°C; ti = +25°C; ΔP = 15KPa

hot vapor: tc = +40°C; ΔP = 80 KPa; th = +65°C; Δt = 4K



EVR3



EVR6-40

Model	Overall Dimension										Weight(g)	
	A	B	C	□G	L	Thread M	ΦD	E	F	H	Threaded	Welded
EVR3-2	14	71.5	14	33	60	7/16-20UNF	6.5	7	25	106	470	470
EVR3-3			16		68	5/8-18UNF					490	485
EVR6-3	14	77.5	16	36	70	3/4-16UNF	10.1	8	30	124	540	565
EVR6-4			18		76						560	555
EVR10-4	15	79.0	18	45	86	7/8-14UNF	12.8	10	31	138	690	715
EVR10-5			21		92						710	725
EVR15-5	19.5	85.0	22	55	106	1-1/16-14UNS	16.1	14	38	166	970	970
EVR15-6			22		110						1000	965
EVR15-7			--		--	--	22.3	17	45	185	--	950
EVR20-7			--		--	--					45	190
EVR20-9	19	79.0	--	72	--	--	28.7	20	62	236	--	1500
EVR25-9	26.5	107		73							73	246
EVR25-11							35.2	22	85	281		1770
EVR32-11											25	
EVR32-13	28	105	--	86	--	--	41.5	29	90	314		
EVR40-13	32	120		100							54.2	35

Note: ① Solenoid weight 320g;

② Nut weight is excluded in above mentioned weight.

③ Nut weight: 1/4-18g, 3/8-30g, 1/2-33g, 5/8-50g and 3/4-93g.