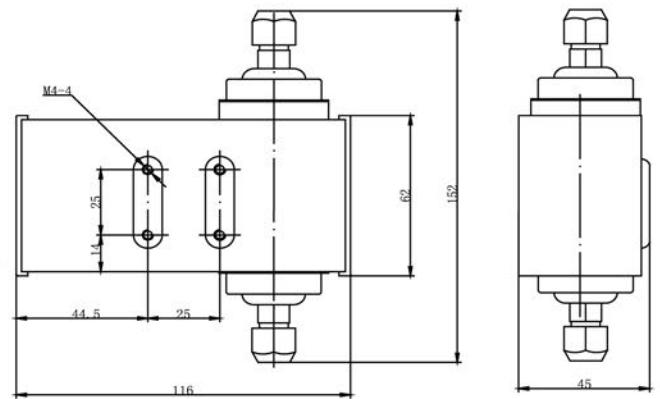


Characteristics

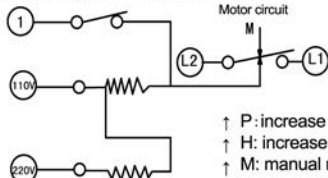
- This product is used as pressure control or pressure protection. When the system reaches the set value, the switch turns on/off the automatically.
- Except for automatic reset, the manual reset at high voltage end as well as both high and low voltage are available
- The circuit connected inside the pressure controller that integrates the high and low pressure ends as one unit is applicable for various kinds of refrigeration systems.
- Pressure and pressure-difference adjusting with the graduate are furnished.
- Suitable mediums are compressed air, Freon , water and oil, etc.
- The connector adopts the standard flare thread.
- Medium temperature: - 40 ~ +120°C; Environment temperature: - 40 ~ +70°C.



DP1035T
DP1050T
DP1060T



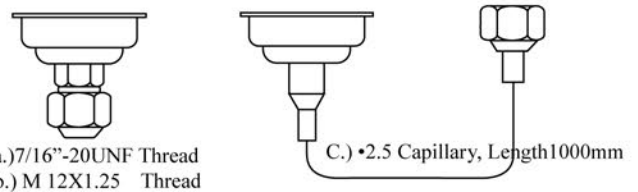
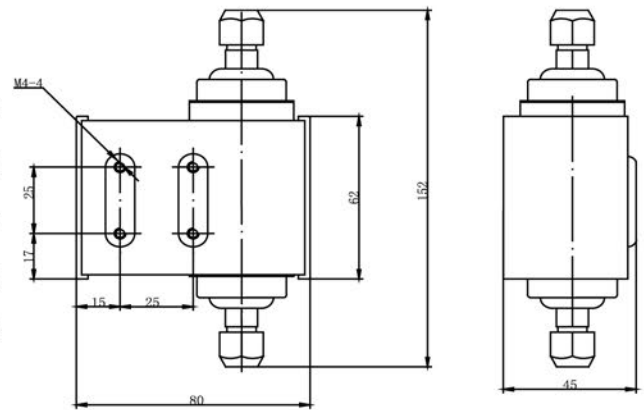
Wiring Diagram for Time Delay



↑ P: increase of pressure
↑ H: increase of time
↑ M: manual reset



DP1015
DP1020
DP1035
DP1050
DP1060

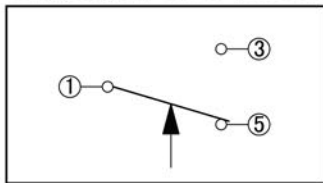


Electric rating

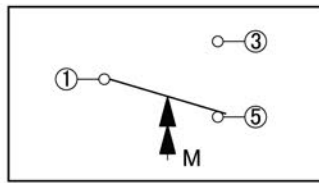
| Rated current (A) | Rated voltage (V) | Power COS Φ | 125V AC | 250V AC |
|-------------------|-----------------------|----------------|------------|------------|
| | Non-induction current | | 24 | 16 |
| Induction current | Constant | 0.75 | 24 | 16 |
| | Transient | 0.75 | 144 | 96 |

| Model | Adjustment Range (MPa) | Action Difference (MPa) | Setting Value (MPa) | Time Delay (sec.) | MOP (MPa) |
|---------|------------------------|-------------------------|---------------------|-------------------|-----------|
| DP1015 | 0.03→0.15 | 0.05 | 0.05 | | 1.7 |
| DP1020 | 0.03→0.2 | 0.05 | 0.05 | | 1.7 |
| DP1035 | 0.05→0.35 | 0.05 | 0.1 | | 1.7 |
| DP1050 | 0.1→0.5 | 0.04 | 0.1 | | 3.3 |
| DP1060 | 0.1→0.6 | 0.04 | 0.1 | | 3.3 |
| DP1035T | 0.05→0.35 | 0.04 | 0.1 | 60 | 1.7 |
| DP1050T | 0.1→0.5 | 0.04 | 0.1 | 60 | 3.3 |
| DP1060T | 0.1→0.6 | 0.04 | 0.1 | 60 | 3.3 |

Wiring Diagram on non-time Delay



Auto-reset

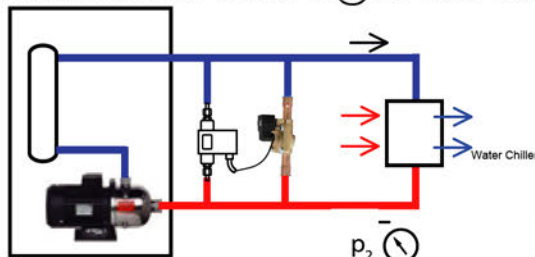


Manual reset

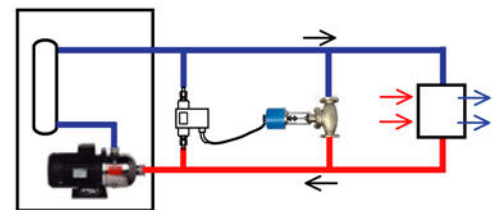
- ① Common
- ①-③ Turn-on when pressure difference increasing
- ①-⑤ Turn-on when pressure difference decreasing
- ↑ Direction of pressure difference increasing

Notes for Ordering:

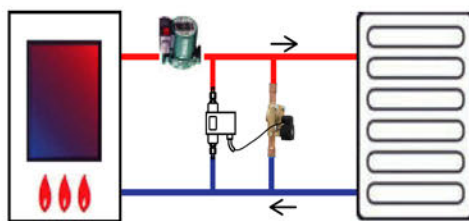
- * Default Connection is 7/16"-20UNF Thread (1/4" SAE Flare)
- * Other connection is available if request
- * Default pressure Label in English.
- * Other language is available if request and provide
- * Max. Test Pressure 3.3MPa @ HP and 1.65 @ LP



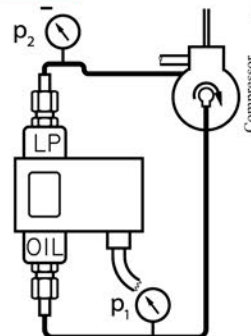
Differential Pressure Control + Solenoid Valve(NC)



In Open Water Tank system



In Wall-mounted boiler system



P₁ - P₂=Oil Pressure