

- Model GBC ball valve is a manually regulated shut-off valve, which is applicable to two-direction flow.
- Model GBC ball valve is used on the liquid, air suction and hot vapor piping of the freezer, cold store and air conditioning unit.
- The valve seat of Model GBC ball valve is well sealed with perfect sealing performance.
- Model GBC ball valve is a through-type ball valve with maximum flow rate and wide scope of operating temperature.
- Model GBC ball valve is equipped with a secondary sealing cap and the metal wire could be used to prevent the sealing cap from missing and avoid any mistake operation in maintenance.

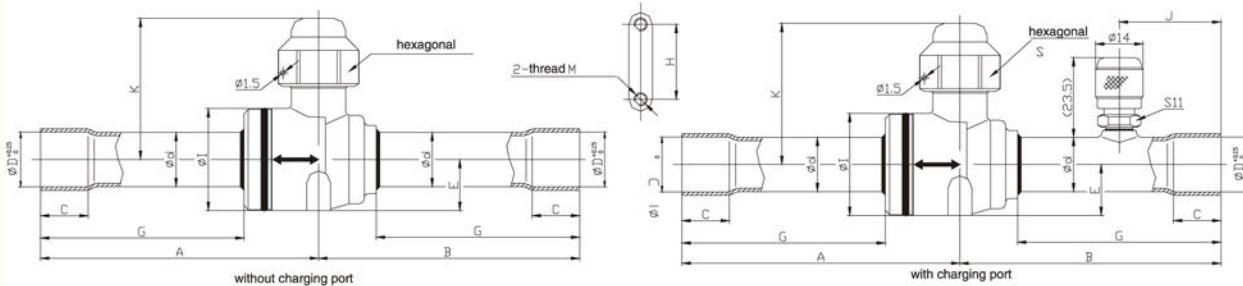
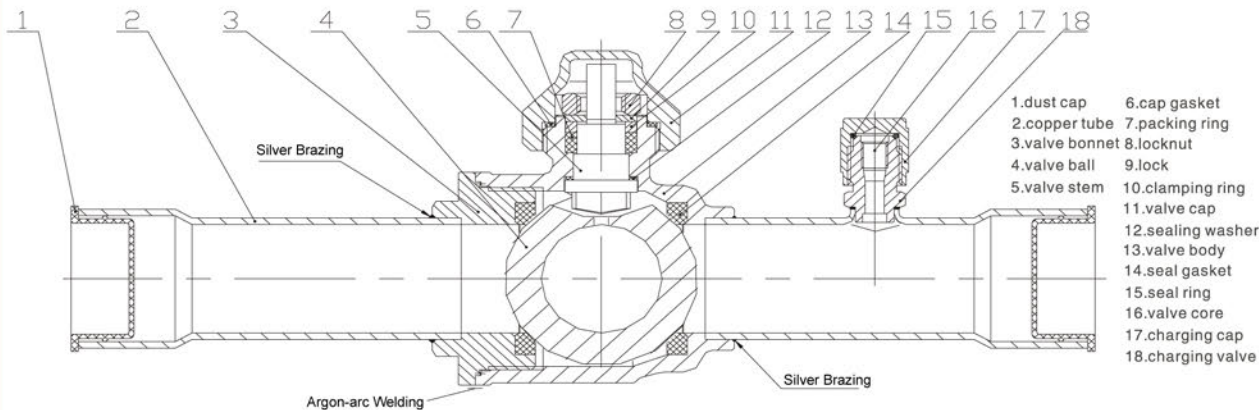
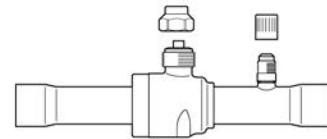
### Features

- No pressure drop in flow.
- Only turn 1/4 circle to make valve full open or full close.
- Turning stop for full open or full close.
- Full Open and Full Close mark on top of valve stem.
- Two-direction flow is available.
- Certification • ISO9001 • QS • UL
- Argon arc welded structure.
- Explosion-proof valve stem design.
- Modified PTFE sealing.
- Inside liquid accumulation is avoided.
- Could be mounted on the control panel.

### Technical Parameters

Applicable Refrigerant	HCFC or HFC ( Customer choice )	Model	Size (INCH)	Φmm	Kv (m <sup>3</sup> /h)	Model	Size (INCH)	Φ mm	Kv (m <sup>3</sup> /h)
Applicable Medium Temperature	-40°C ~ +150°C	GBC-6	1/4 ( 6mm)	Φ14	2.0	GBC-35	1-3/8(35mm)	Φ32	62.0
Max. Operating Pressure	4.5MPa	GBC-10	3/8 (10mm)	Φ14	5.7	GBC-42	1-5/8(42mm)	Φ38	121
Max. Test Pressure	6.5MPa	GBC-12	1/2 (12mm)	Φ14	10.6	GBC-54	2-1/8(54mm)	Φ50	200
Yearly Leakage of Refrigerant	≤5g R22	GBC-16	5/8 (16mm)	Φ14	14.1	GBC-67	2-5/8(67mm)	Φ50	200
		GBC-19	3/4 (19mm)	Φ19	20.4	GBC-79	3-1/8(79mm)	Φ50	200
		GBC-22	7/8 (22mm)	Φ19	28.2	GBC-67A	2-5/8(67mm)	Φ60.5	310
		GBC-28	1-1/8(28mm)	Φ25	52.0	GBC-79A	3-1/8(79mm)	Φ73	700

• Two types of Model GBC ball valve are available: one is equipped with the charging and inspection port; the other is not equipped with the charging and inspection port



Model	A	B	C	ΦD	Φd	E	G	H	ΦI	J	K	S	M	Weight (g)
GBC-6	67	59	9	6.5	16	15	50	22	29.5	30	41.5	24	M4	230
GBC-10	67	59	10	10.1	16	15	50	22	29.5	30	41.5	24	M4	245
GBC-12	83	77	12	12.8	16	15	60	22	29.5	30	41.5	24	M4	255
GBC-16	83	77	14	16.1	16	15	60	22	29.5	30	41.5	24	M4	260
GBC-19	96	89	14	19.1	22	20.5	67	30	40.5	36	46.5	24	M4	510
GBC-22	96	89	17	22.3	22	20.5	67	30	40.5	36	46.5	24	M4	520
GBC-28	108	100	20	28.7	28	24	76	38	47.5	44	55.5	29	M4	800
GBC-35	130	121	25	35.2	35	31.5	88	48	62	44	71.5	32	M6	1550
GBC-42	145	136	29	41.5	42	35	98	55	71	56	86.5	36	M6	2300
GBC-54	157	148	34	54.2	54	46	101	74	91	56	94.5	36	M6	3900
GBC-67	157	148	36	67.0	54	46	101	74	91	63	94.5	36	M6	3950
GBC-79	157	148	36	79.6	54	46	101	74	91	63	94.5	36	M6	4030
GBC-67A	171	172	37	67.0	67	54	116	84	110	72	94.5	38	M6	5475
GBC-79A	207	206	37	79.6	79	64	142	86	130	80	102	38	M6	8419

\* Default ball valve is without charging port.